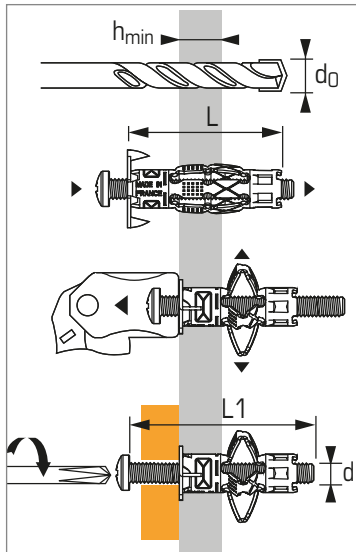




Anchor for hollow base materials



APPLICATION

- Light duty clamps
- Radiators
- Inside lighting
- Bathroom fixtures
- Kitchen fixtures
- Inside air conditioning units
- Electrical accessories

Technical data

Anchor size	Screw threaded diameter (mm)	Base thickness min.-max. (mm)	Drilling diameter plasterboard (mm)	Total screw length (mm)	Total anchor length (mm)	Code	
	d	h _{min}	d ₀	L1	L	with mount. screw	without screw
4X34/13	4	6 - 13	8 - (9)*	40	34	061040	-
5X34/13	5	6 - 13	10 - (11)*	40	34	061070	057800
6X35/13	6	6 - 13	12 - (13)*	40	35	061110	057830

* () Drilling diameter in plasterboard with HSS drill bit

Recommended loads (N_{REC}, V_{REC}) and ultimate loads (N_{RU,m}, V_{RU,m}) in kN

TENSILE

Base material	Anchor size	Ø4	Ø5	Ø6
Plasterboard BA13				
N _{REC} *		0,15	0,15	0,2
N _{RU,m} *		0,5	0,5	0,6
Hollow clay bricks				
N _{REC} *		0,2	0,2	0,2
N _{RU,m} *		1,2	1,2	1,2
Hollow concrete blocks				
N _{REC} *		0,2	0,2	0,2
N _{RU,m} *		1,2	1,2	1,2

* indicative values

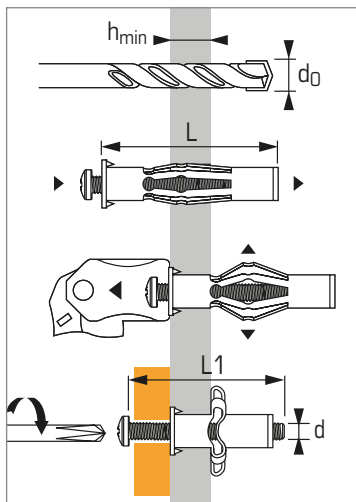
SHEAR

Base material	Anchor size	Ø4	Ø5	Ø6
Plasterboard BA13				
V _{REC} *		0,15	0,2	0,2
V _{RU,m} *		1,0	1,2	1,2
Hollow clay bricks				
V _{REC} *		0,35	0,55	0,55
V _{RU,m} *		2,1	3,3	3,3
Hollow concrete blocks				
V _{REC} *		0,35	0,55	0,55
V _{RU,m} *		2,1	3,3	3,3

* indicative values



Anchor for hollow base materials



APPLICATION

- Fixing to plasterboard and hollow materials
- Bathroom accessories
- Pipework, trunking
- Slotted screw head type PZ2

Technical data

Anchor size	Screw threaded diameter (mm)	Base mat. thick. min.-max. (mm)	Drilling diameter (mm)	Total screw length (mm)	Total anchor length (mm)	Code
	d	h _{min}	d ₀	L1	L	with mounted screw
4X46/24	4	12 - 24	8	50	46	061050
5X45/16	5	3 - 16	8	50	45	061080
5X59/32	5	14 - 32	8	65	59	061090
6X46/16	6	4 - 16	10	50	46	061120
6X59/30	6	16 - 30	10	65	59	061130

Recommended loads (N_{REC}, V_{REC}) and ultimate loads (N_{RU,m}, V_{RU,m}) in kN

TENSILE

Base material	Anchor size	Ø4	Ø5	Ø6
Plasterboard BA10				
N _{RU,m} *		0,6	0,7	0,7
Plasterboard BA13				
N _{RU,m} *		0,7	0,9	0,9
Hollow clay bricks				
N _{REC} *		0,18	0,18	0,18
N _{RU,m} *		1,1	1,1	1,1
Hollow concrete blocks				
N _{REC} *		0,23	0,3	0,3
N _{RU,m} *		2,3	3,9	4,4

* indicative values

SHEAR

Base material	Anchor size	Ø4	Ø5	Ø6
Plasterboard BA10				
V _{RU,m} *		1,0	1,0	1,0
Plasterboard BA13				
V _{RU,m} *		1,35	1,35	1,35
Hollow clay bricks				
V _{REC} *		0,36	0,48	0,48
V _{RU,m} *		2,2	2,9	2,9
Hollow concrete blocks				
V _{REC} *		0,38	0,65	0,73
V _{RU,m} *		1,4	1,8	1,8

* indicative values